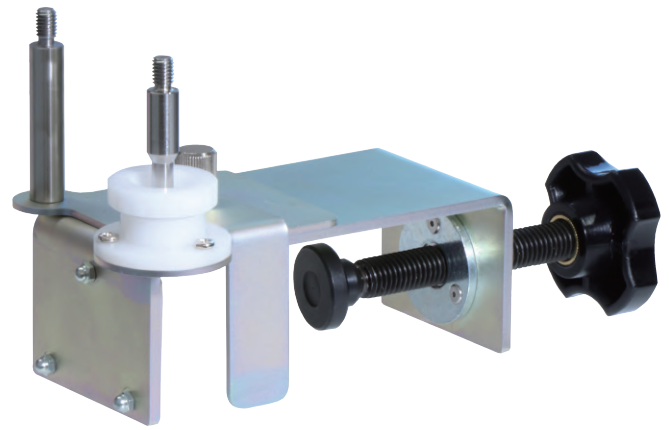


Prism Adapter for Installing Gutter Concrete GC-ADP

Efficient installation of drainage ditches

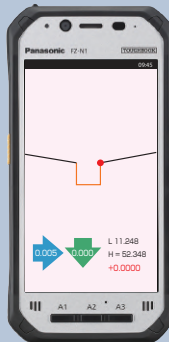


Features

- Significantly reduce installation work.
- Securely hold the side ditch as the fixed part moves flexibly.
- Rotate the pin pole mounting axis to align with the installation direction.

Point 1 Easy installation on the corners

No need to hold it by hand, it can be easily attached to the corners of the ditch, and it is highly compatible with construction management software.

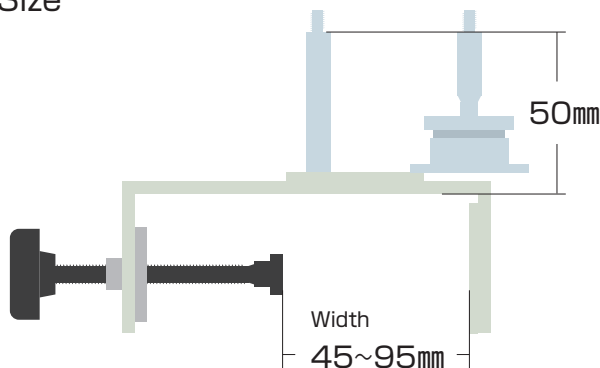


Point 2 Flexible shaft

There are two types of mounting axis for the pin pole: one for vertical use and the other with a ball joint. Even when the lifted ditch is at an angle, the flexible shaft allows for horizontal adjustment of the prism, enabling precise guidance of the ditch corner position.



Size



Specifications

Clamping width	approx. 45 ~ 95mm
Screw	6mm φ
Dimensions	90 × 168 × 108mm
Weight	approx. 700g

Code No.	Product Name	Model
224672	Prism Adapter for Installation Gutter Concrete	GC-ADP
222305	Wide Angle Reflecting Prism	Z-220P
215931	DM Pin Pole 250mm	DMP-9MS

Myzox Co., Ltd.

401 Yamagoe, Nagakute, Aichi 480-1111 Japan
TEL : +81-561-64-2210 FAX : +81-561-63-7770

www.myzoxjapan.com

Your Local Authorized Myzox Dealer is :